

TAOC Analog board

ASRⅢ - AD - NB / NS

Instruction Manual

Thank you for purchasing ASRⅢ-AD-NB/NS for setting turntable system. Make sure to read these instruction before using and assemble correctly. After reading, keep this manual handy for future reference.



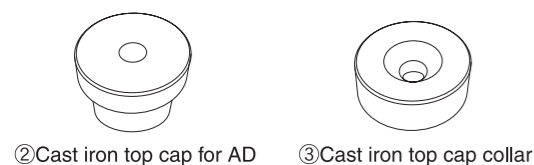
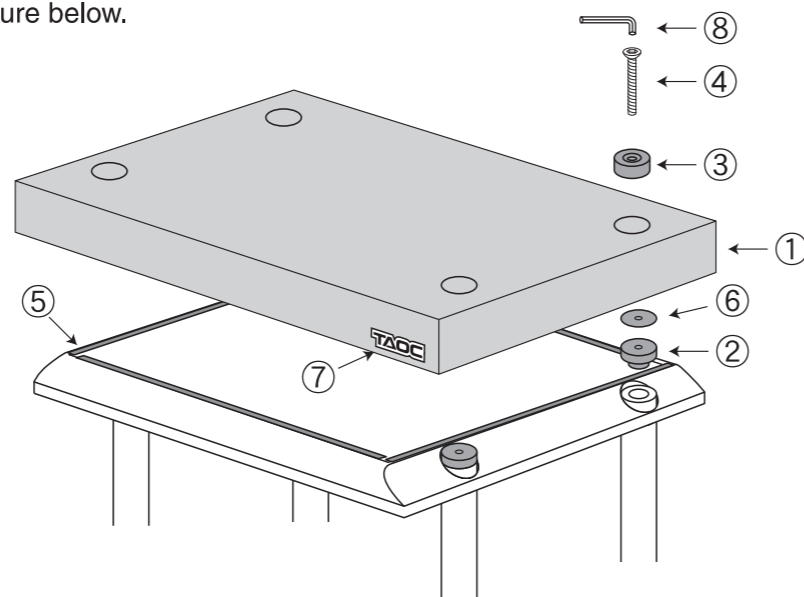
CAUTION

- Ensure audio rack system ASRⅢ is completely assembled and it is put at the safety and flat place before starting assemble this product, or it may cause serious accident due to tumble.
- Don't set your audio equipment while assembling. Rack and audio equipment may fall or be damaged, resulting in injure.

1. Names and Quantities of Parts

• Check the quantity referring to the table and figure below.

No.	PART NAME	QTY
①	Audio board	1
②	Cast iron top cap for AD	4
③	Cast iron top cap collar	4
④	Top Cap bolt	4
⑤	POLON sheet for frame	4
⑥	POLON sheet for cast iron top cap	4
⑦	TAOC LOGO badge	1
⑧	Hexagonal wrench	1



2. How to assemble

1 Stick four piece of ⑤POLON sheets on the top stage frame as shown in the figure A. Make sure to be attached these sheets on flat space of shelf frame.
(POLON sheets protects shelf frame from scratch when combing.)

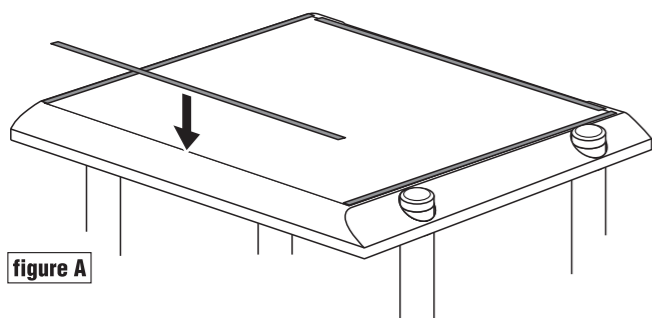
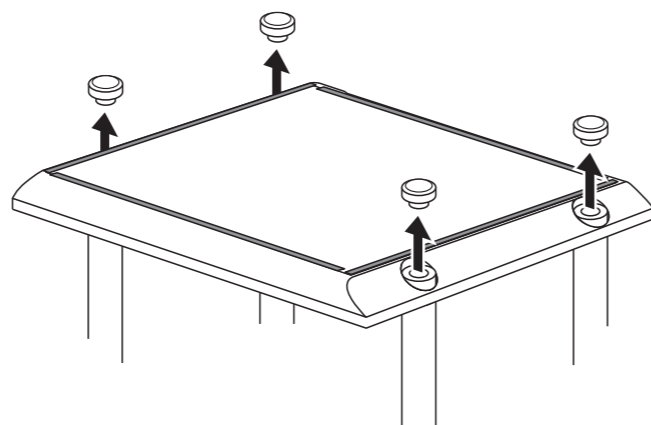
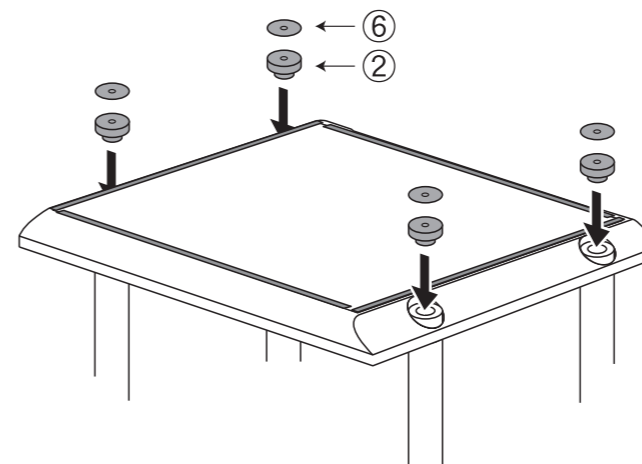


figure A

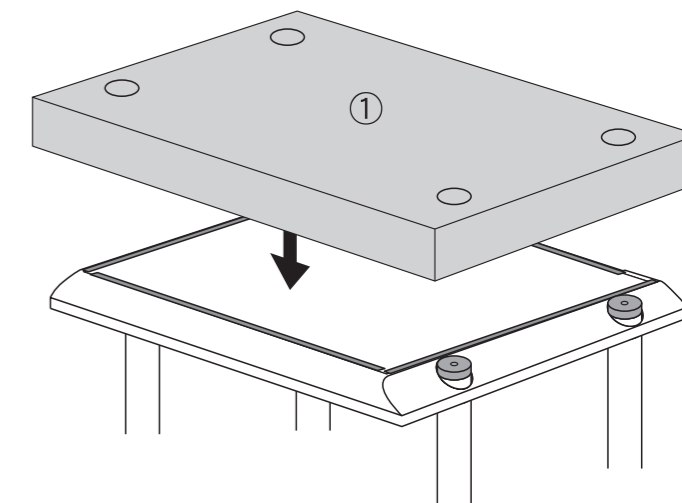
2 Remove the top cap covers of ASRⅢ carefully.



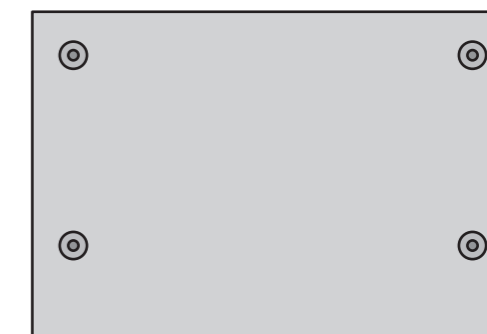
3 Screw ②cast iron top caps for AD surely and Stick ⑥POLON sheets on it as shown in the figure below with aligning each hole correctly.



4 Put ①audio board on the shelf frame with paying attention of orientation of it as shown in the figure and TOP VIEW below. Then align each hole for screwing.
Make sure to be put the audio board on POLON sheets. Don't put it on the frame directly.



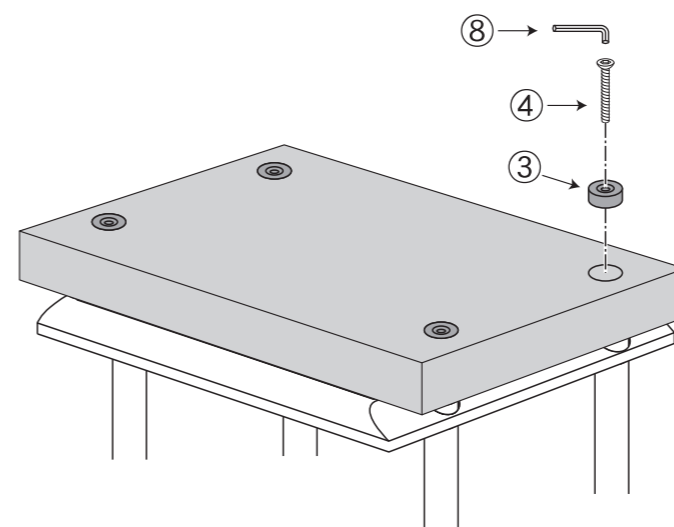
TOP VIEW



Front



5 Put ③top cap collars into holes of top side of audio board. Screw ④top cap bolts and fix them firmly with ⑧hexagonal wrench.



6 Make sure of the stability of rack system and audio board surely. After that, set your turntable system on it carefully.

AISIN TAKAOKA CO., LTD.

1 Tenno, Takaokahsinmachi, Toyota-city, Aichi Prefecture, Japan, 473-8501
Telephone; +81-565-54-1272 <http://www.taoc.gr.jp>